

# Technical data sheet



## Product features

<b>Model</b>	<b>SAP Code</b>	00003925
SE 40 M	<b>A group of articles - web</b>	Salamanders



- Removable rear wall of the device: Yes
- Width of internal part [mm]: 430
- Depth of internal part [mm]: 310
- Number of grid positions: 5

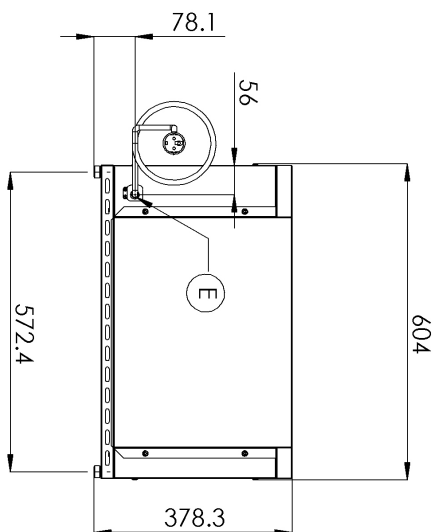
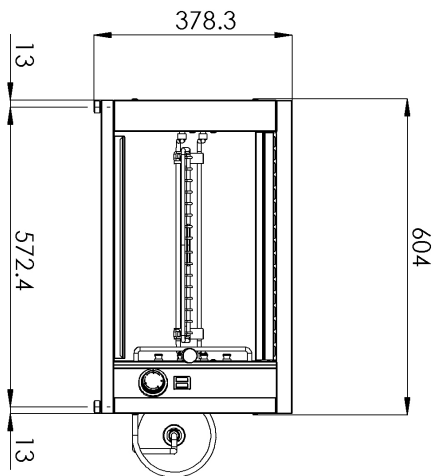
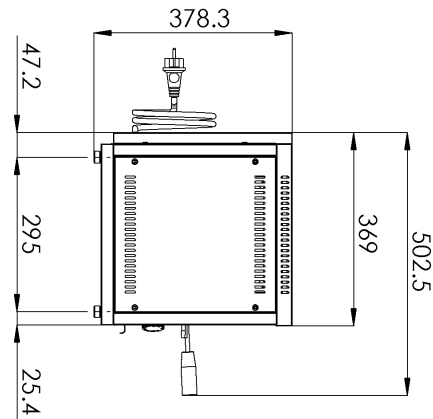
<b>SAP Code</b>	00003925	<b>Net Weight [kg]</b>	14.00
<b>Net Width [mm]</b>	604	<b>Power electric [kW]</b>	2.200
<b>Net Depth [mm]</b>	369	<b>Loading</b>	230 V / 1N - 50 Hz
<b>Net Height [mm]</b>	378		

# Technical data sheet



Technical drawing

<b>Model</b>	<b>SAP Code</b>	00003925
SE 40 M	<b>A group of articles - web</b>	Salamanders



# Technical data sheet



## Technical parameters

<b>Model</b>	<b>SAP Code</b>	00003925
SE 40 M	<b>A group of articles - web</b>	Salamanders

**1. SAP Code:**

00003925

**2. Article group:**

Salamanders

**3. Net Width [mm]:**

604

**4. Net Depth [mm]:**

369

**5. Net Height [mm]:**

378

**6. Net Weight [kg]:**

14.00

**7. Gross Width [mm]:**

520

**8. Gross depth [mm]:**

640

**9. Gross Height [mm]:**

440

**10. Gross Weight [kg]:**

15.00

**11. Device type:**

Electric unit

**12. Material:**

Stainless steel

**13. Power electric [kW]:**

2.200

**14. Loading:**

230 V / 1N - 50 Hz

**15. Control type:**

Mechanical

**16. Number of grid positions:**

5

**17. Protection of controls:**

IPX4

**18. Number of power control stages:**

3

**19. Number of internal parts:**

5

**20. Removable rear wall of the device:**

Yes

**21. Width of internal part [mm]:**

430

**22. Depth of internal part [mm]:**

310